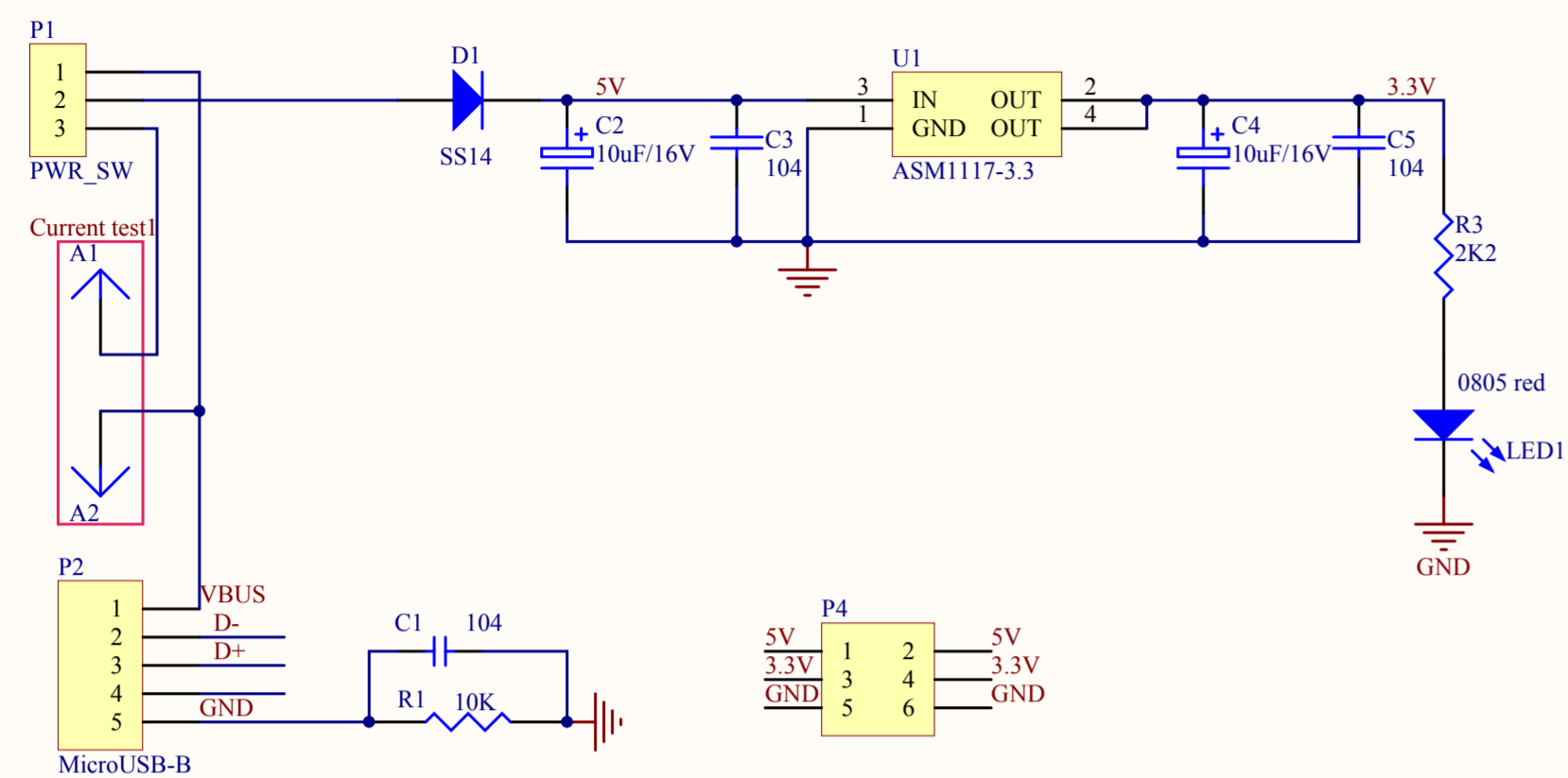
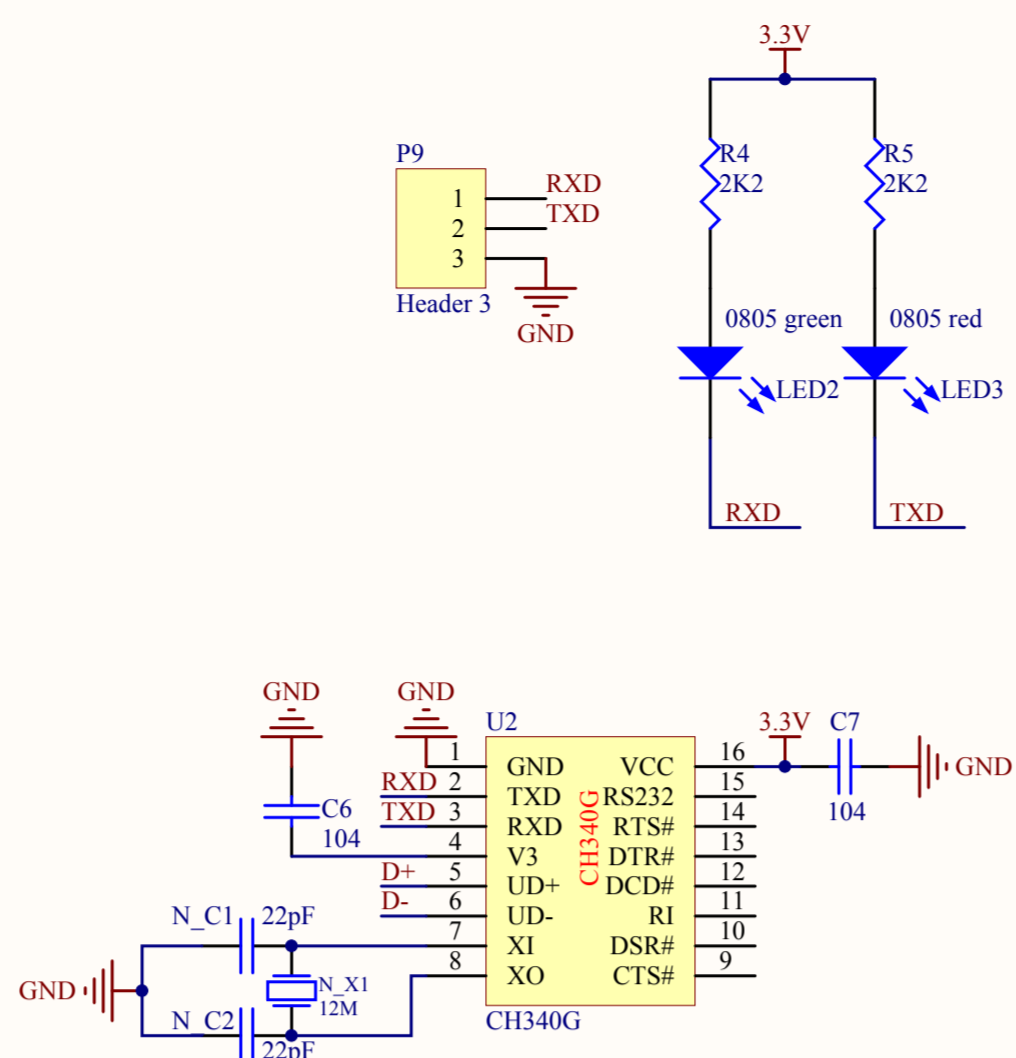


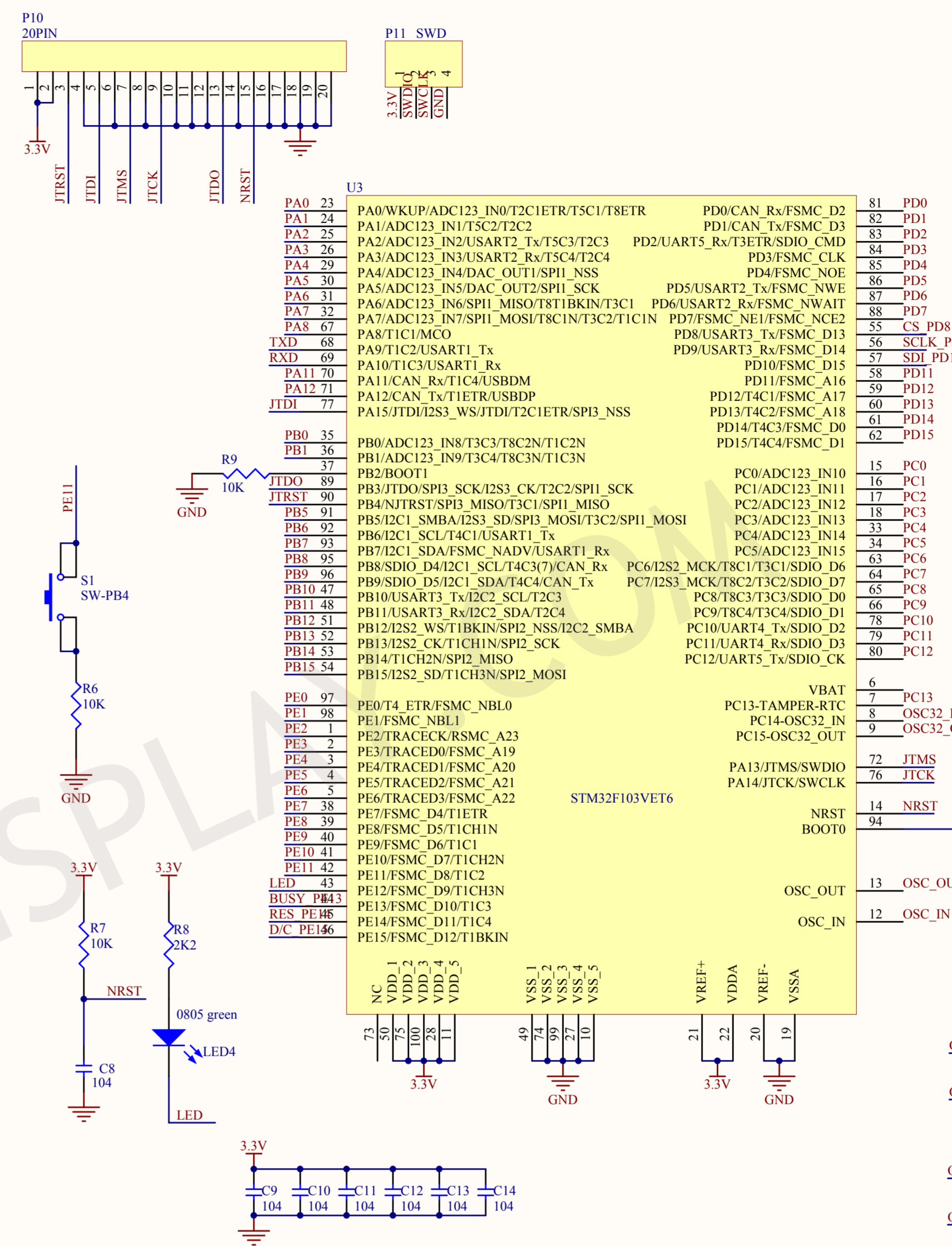
POWER



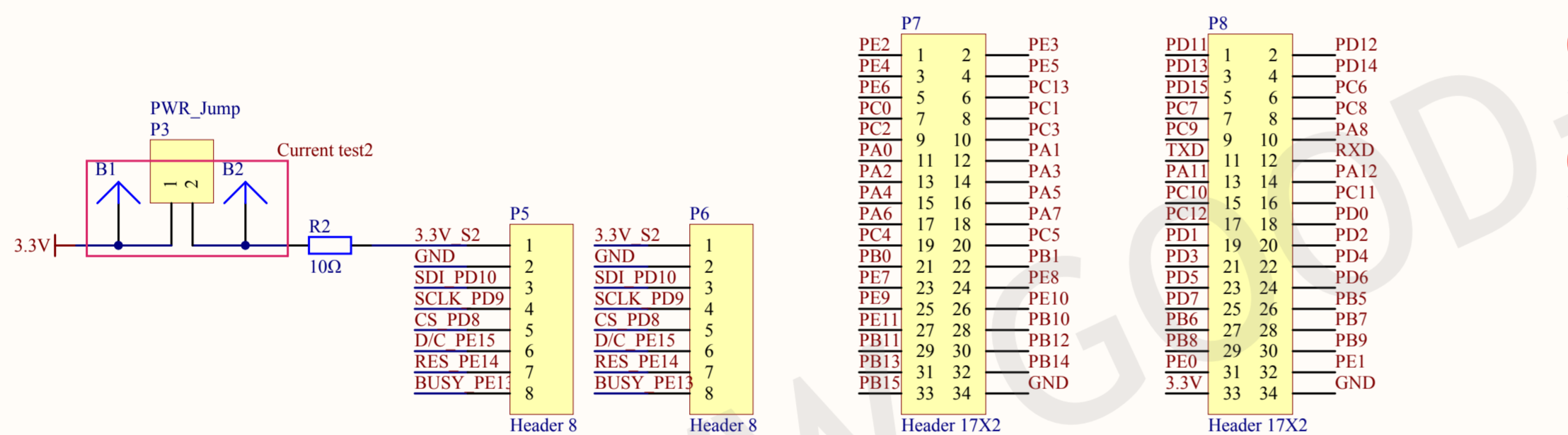
USB



MCU



INTERFACE



FLASH

