



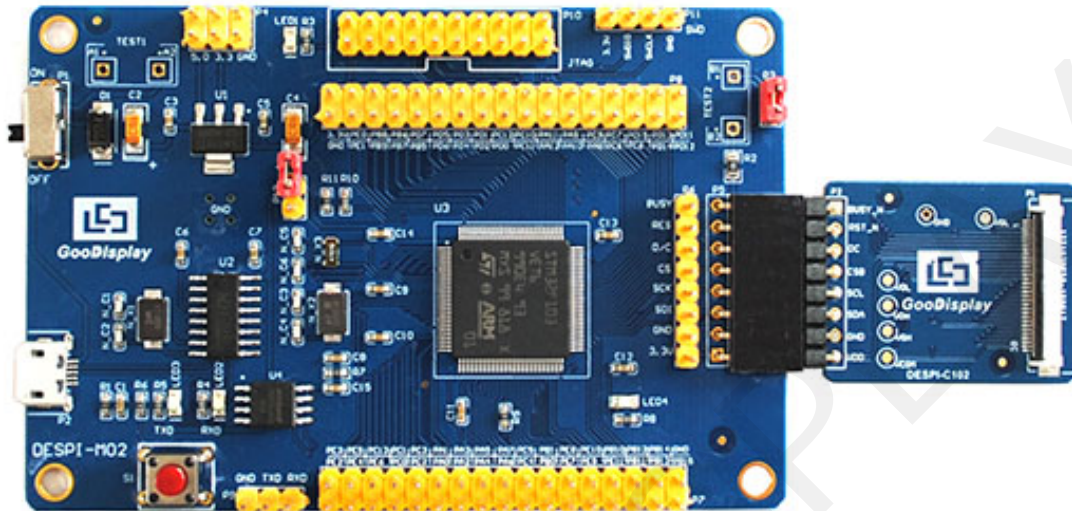
Development Kit for Epaper Display



DESPI-102

Dalian Good Display Co., Ltd.

Product Specifications



| | |
|--------------------|---|
| Customer | Standard |
| Description | Development Kit for Epaper Display |
| Model Name | DESPI-102 |
| Date | 2018/11/23 |
| Revision | 1.0 |

| | Design Engineering | | |
|--|---|---|---|
| | Approval | Check | Design |
| |  |  |  |

No.17 Gonghua Street, Shahekou District, Dalian 116021 China

Tel: +86-411-84619565 Fax: +86-411-84619585-810

Email: info@good-display.com

Website: www.e-paper-display.com

Content

| | |
|--|----------|
| 1. Overview | 4 |
| 2. Mechanical Specifications..... | 4 |
| 3. Functions..... | 5 |
| 4. JTAG Simulator | 8 |

GOOD

1. Overview

This Development Kit designed for SPI E-paper Display aims to help users to begin constructing our e-paper display with provided source code to create more differentiated solutions. It supports driving 1.02 inch E-paper Display.

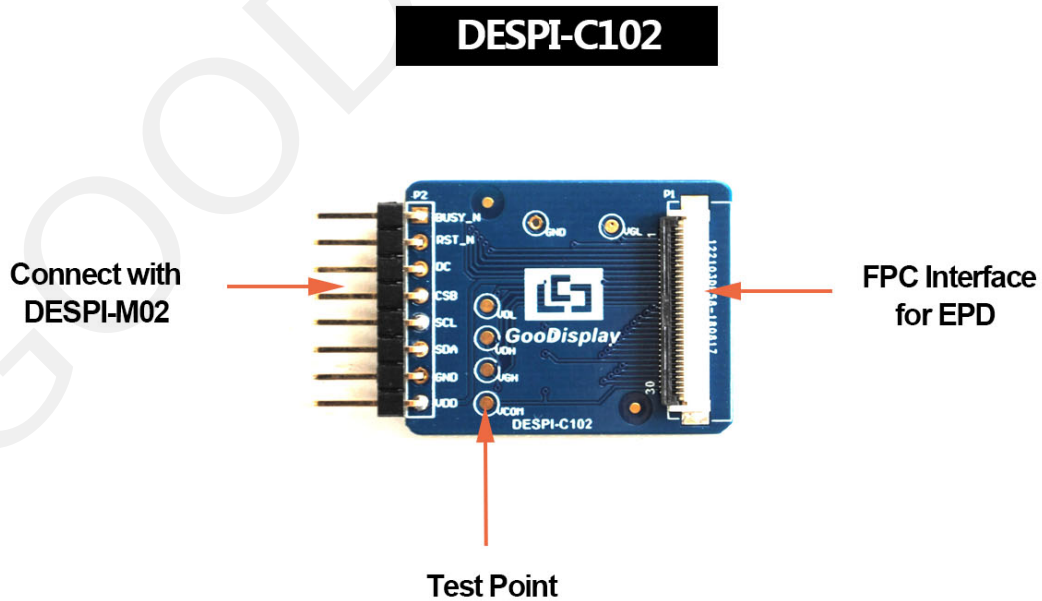
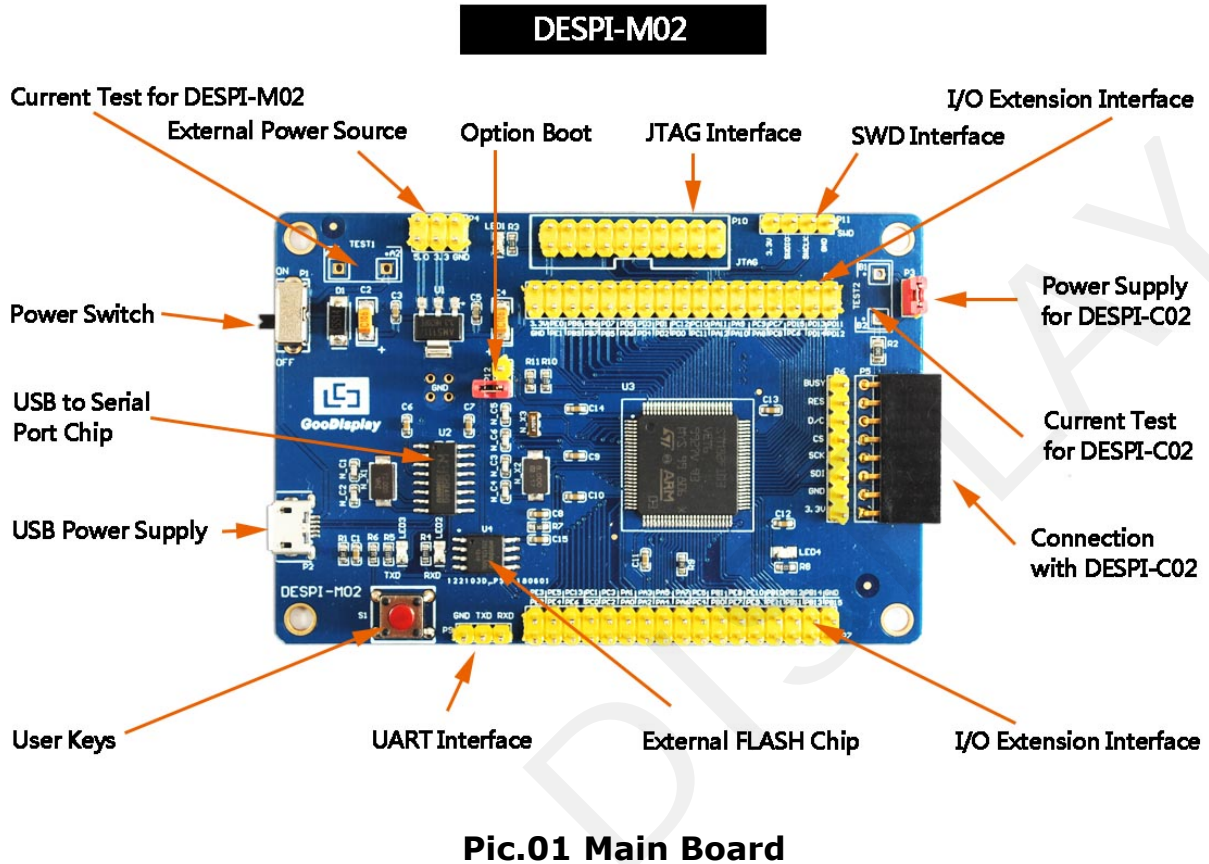
And it is added the functions of USB serial port and LED indicator light ect. It also supports being updated by computer directly.

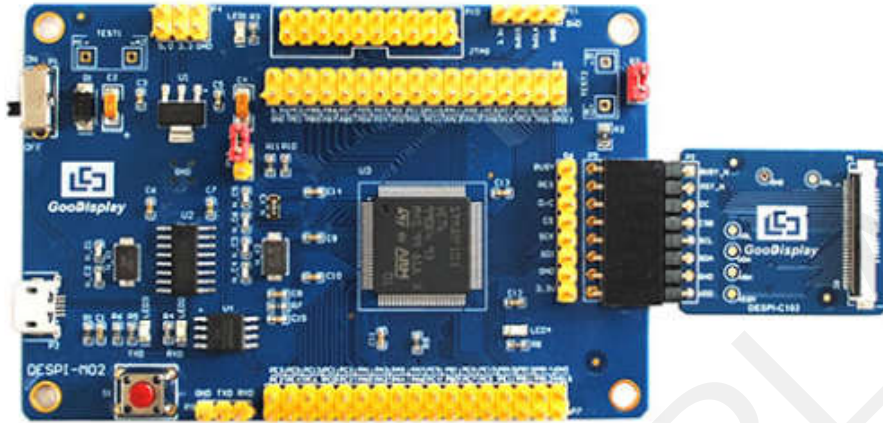
DESPI-102 Development Kit consists of the development board DESPI-M02 and the pinboard DESPI-C102.

2. Mechanical Specifications

| Parameter | Specification |
|---------------------|---|
| Model | DESPI-102 |
| MCU | STM32 |
| Dimension | 90mmx60mm (DESPI-M02) 32.2mmx23.5mm (DESPI-C102) |
| Power Interface | USB Interface |
| Sample Code | Available (please contact sales) |
| Operating Temp. | -20°C ~+70°C |
| Main Function | <ol style="list-style-type: none"> 1. Learn how to drive E-ink Display. 2. Test and evaluate the E-ink Display. 3. Secondary development based on DESPI-102. |
| Additional Function | USB to serial port, indicator light 、 keys、 current detection and so on. |

3. Functions





Pic. 03 Demo Board

3.1 Power Supply

Input voltage of Demo Board is DC5V, and the power interface is USB Interface.

3.2 LED indicator light

One indicator light reserved for developing.

3.3 Communication

One USB to serial port reserved for transmission .You should install the driver program CH340 to use it.

3.4 I/O Port Extension

I/O port of STM32 has been led out for developing.

3.5 Current Test

The demo kit supports the current test of the main board DESPI-M02 and the connector board DESPI-C102.

1) Test for DESPI-M02: Power off and make series connection between ampere meter and TEST1.

2) Test for DESPI-C102: Power on and take off the short circuit plug P3 then make series connection between ampere meter and TEST2. After accomplishing test, put on the short circuit plug 3.

3.6 Download

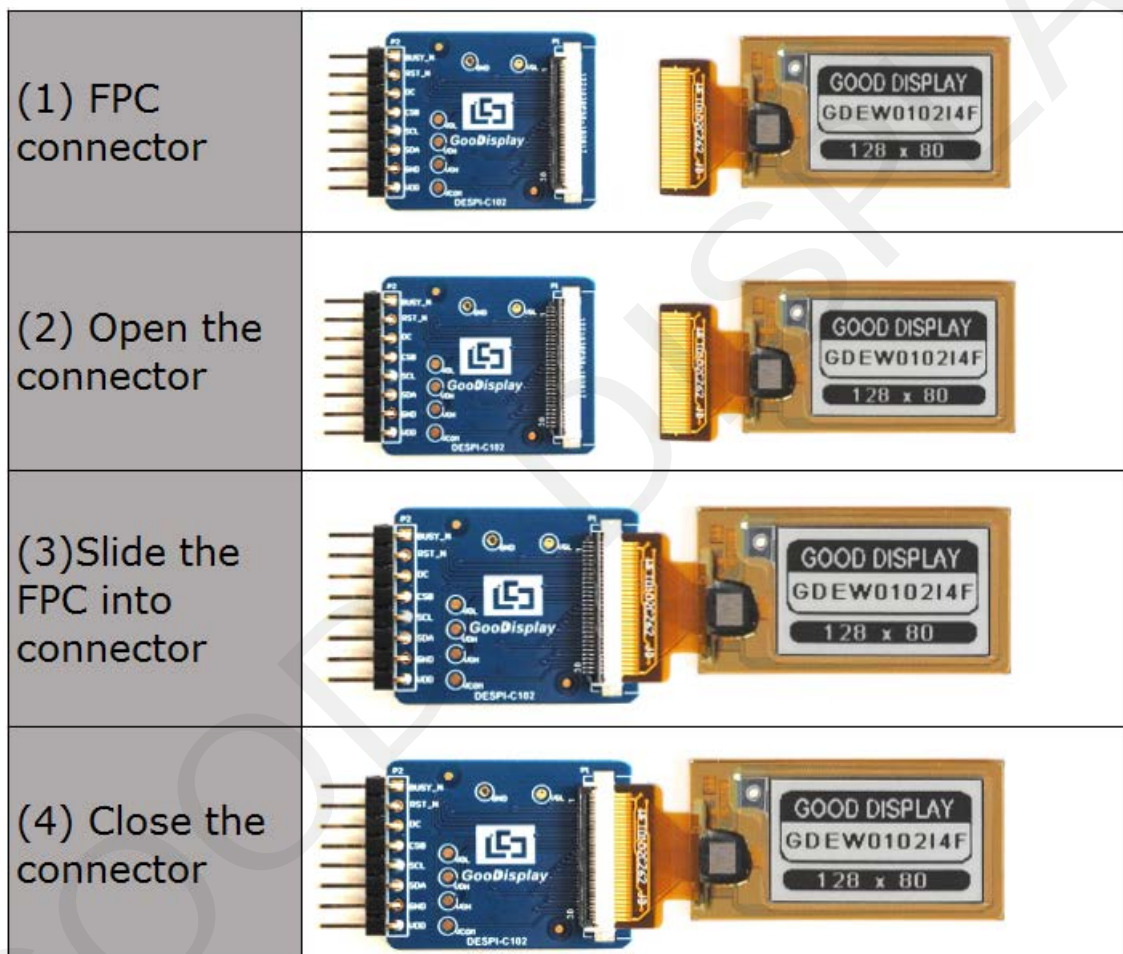
The demo can support 3 modes of download : TAG、SWD、UART. TIPS: When using UART to download program, you need to use a plug to short circuit P12, and then use FlyMcu software to choose corresponding with Hex file and download it. Be sure to remove the short circuit plug for P12 after the download is complete, or program won't be able to work.

3.7 Keys

Reserved button function for user developing.

3.8 Connect E-paper Display to Demo Board

TIPS: Due to the width of the FPC gold finger, users should choose the FPC connector which has 32 PIN with 0.5mm pitch.



Pic. 04

4. JTAG Simulator (Optional)

There is no brand or model requirement when the user selects the emulator, as long as it has the download function.