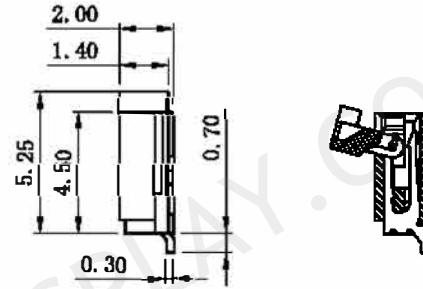
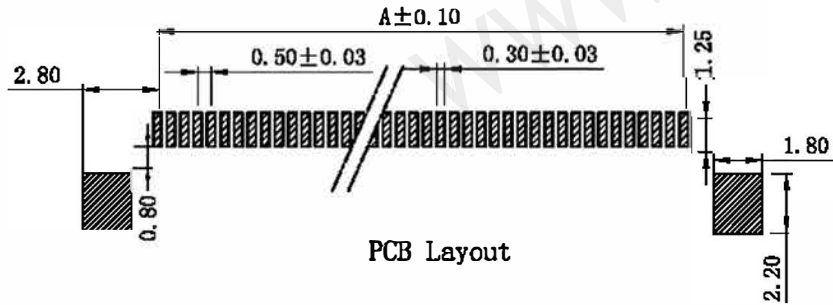
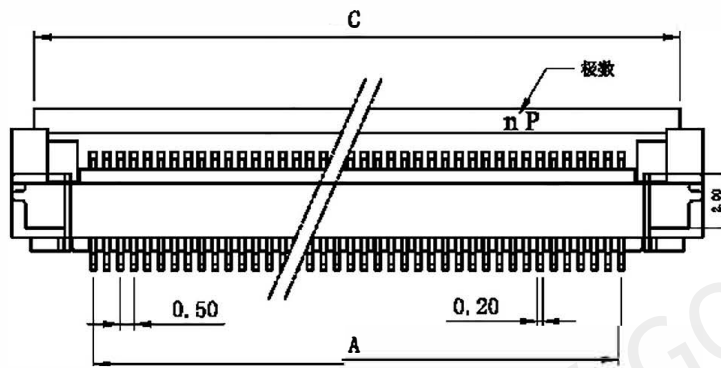
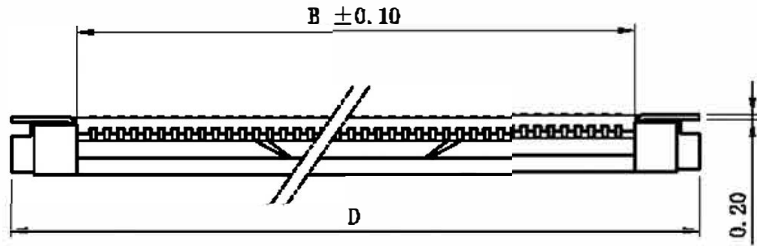


# PITCH 0.5mm FPC CONNECTOR SMT TYPE



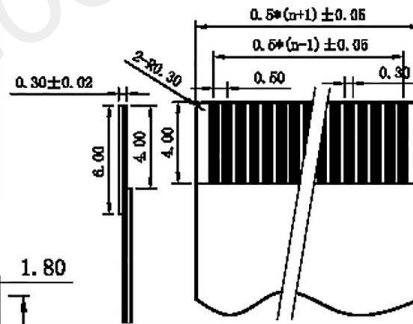
Specification:

1. Pitch: 0.5mm
2. Temperature Range: -20~85°C
3. Rated Voltage: 50V
4. Rated Current: 0.4A
5. Contact Resistance: ≤20mΩ
6. Insulation Resistance: 500MΩ
7. Withstand Voltage: 200V

Material:

1. Housing: LCP UL94V-0 Original
2. Locker: LCP UL94V-0 Black
3. Contact: Phosphor bronze, tin/gold-plated
4. Solder tab: Brass, tin/gold-plated

孔位	A	B	C	D
4	1.50	2.60	6.00	7.40
5	2.00	3.10	6.50	7.90
6	2.50	3.60	7.00	8.40
7	3.00	4.10	7.50	8.90
8	3.50	4.60	8.00	9.40
9	4.00	5.10	8.50	9.90
10	4.50	5.60	9.00	10.40
11	5.00	6.10	9.50	10.90
12	5.50	6.60	10.00	11.40
13	6.00	7.10	10.50	11.90
14	6.50	7.60	11.00	12.40
15	7.00	8.10	11.50	12.90
16	7.50	8.60	12.00	13.40
17	8.00	9.10	12.50	13.90
18	8.50	9.60	13.00	14.40
19	9.00	10.10	13.50	14.90
20	9.50	10.60	14.00	15.40
21	10.00	11.10	14.50	15.90
22	10.50	11.60	15.00	16.40
23	11.00	12.10	15.50	16.90
24	11.50	12.60	16.00	17.40
25	12.00	13.10	16.50	17.90
26	12.50	13.60	17.00	18.40
27	13.00	14.10	17.50	18.90
28	13.50	14.60	18.00	19.40
29	14.00	15.10	18.50	19.90
30	14.50	15.60	19.00	20.40
31	15.00	16.10	19.50	20.90
32	15.50	16.60	20.00	21.40
33	16.00	17.10	20.50	21.90
34	16.50	17.60	21.00	22.40
35	17.00	18.10	21.50	22.90
36	17.50	18.60	22.00	23.40
37	18.00	19.10	22.50	23.90
38	18.50	19.60	23.00	24.40
39	19.00	20.10	23.50	24.90
40	19.50	20.60	24.00	25.40
41	20.00	21.10	24.50	25.90
42	20.50	21.60	25.00	26.40
43	21.00	22.10	25.50	26.90
44	21.50	22.60	26.00	27.40
45	22.00	23.10	26.50	27.90
46	22.50	23.60	27.00	28.40
47	23.00	24.10	27.50	28.90
48	23.50	24.60	28.00	29.40
49	24.00	25.10	28.50	29.90
50	24.50	25.60	29.00	30.40
51	25.00	26.10	29.50	30.90
52	25.50	26.60	30.00	31.40
53	26.00	27.10	30.50	31.90
54	26.50	27.60	31.00	32.40
55	27.00	28.10	31.50	32.90
56	27.50	28.60	32.00	33.40
57	28.00	29.10	32.50	33.90
58	28.50	29.60	33.00	34.40
59	29.00	30.10	33.50	34.90
60	29.50	30.60	34.00	35.40



适用扁平电缆

L ± 0.3	K° ± 5°	UNITS mm	NAME (INTENSD USE)	DALIAN GOOD DISPLAY CO., LTD			
.X ± 0.25	.K° ± 2°	MAT'L	0.5mm FPC				
.XX ± 0.20	.XX° ± 1°	FINISH	PART NO. (INTENSD USE)	TITLE:			
.XXX ± 0.10	.XXX° ± 0.5°		QTY	APPL:	DWG NO.:		
VENSH DRAWINGS AND SPECIFICATIONS ARE THE PROPERTY OF DE HDI ELECTRON FACTORY AND SHALL NOT BE REPRODUCED, COPIED OR USED IN ANY MANNER WITHOUT THE PRIOR WRITTEN CONSENT OF DE HDI ELECTRON FACTORY			CHEK:		SCALE	SHEET	REV.
			DR: YLZ 2011.09.28		1/1	1/1	A