



6 inch E-paper Display Series



GDE060BA-T

Dalian Good Display Co., Ltd.

Product Specifications



Customer	Standard
Description	6" E-PAPER DISPLAY WITH TOUCH PANEL
Model Name	GDE060BA-T
Date	2019/05/07
Revision	2.1

	Design Engineering		
	Approval	Check	Design
			

No.17 Gonghua Street, Shahekou District, Dalian 116021 China

Tel: +86-411-84619565 Fax: +86-411-84619585-810

Email: info@good-display.com

Website: www.e-paper-display.com

Contents

1	General Description	5
2	Features	5
3	Application	5
4	Pin Assignment.	6
5	Electrical Characteristics	7
6	Power On/Off Sequence	10
7	Mechanical Specifications	11
8	Optical Characteristics	13
9	Handling, Safety and Environment Requirements	14
10	Reliability Test	15
11	Block Diagram	16
12	Packaging	17

Version	Content	Date	Producer
1.0	New Release	2013/07/10	
2.0	Updating	2019/01/10	
2.1	Updating dimension	2019/05/07	

GOOD DISPLAY

1 General Description

GDE060BA-T is an Active Matrix Electrophoretic Display(AM EPD) with capacitive touch panel, High-Resolution AM TFT Black/White display module which can be used in portable electronic devices, such as E-book Reader.

The module is a TFT-array driving electrophoretic display, with integrated circuits including source and gate drivers. The resolution of the module is 600×800 (SVGA), and the active area is 6 inch diagonal.

2 Features

- ◆ 600×800 display
- ◆ White Reflectance above 35%(0 minute)
- ◆ Contrast Ratio above 8:1(2 minute)
- ◆ 3:4 aspect ratio
- ◆ Wide viewing angle
- ◆ Ultra low power consumption
- ◆ Reflective mode
- ◆ Bi-stable display
- ◆ Commercial temperature range
- ◆ Landscape, portrait modes
- ◆ Hard-coat antiglare display surface
- ◆ With Capacitive Touch Panel

3 Application

E-book reader

4 Pin Assignment

No.	Pin Name	Description
1	VNEG	Negative power supply source driver
2	VGL	Negative power supply gate driver
3	VSS	Ground
4	NC	NO Connection
5	NC	NO Connection
6	VDD	Digital power supply drivers
7	VSS	Ground
8	CLK	Clock source driver
9	VSS	Ground
10	LE	Latch enable source driver
11	OE	Output enable source driver
12	SPH	Start pulse source driver
13	D0	Data signal source driver
14	D1	Data signal source driver
15	D2	Data signal source driver
16	D3	Data signal source driver
17	D4	Data signal source driver
18	D5	Data signal source driver
19	D6	Data signal source driver
20	D7	Data signal source driver
21	VCOM	Common connection
22	NC	NO Connection
23	NC	NO Connection
24	NC	NO Connection
25	NC	NO Connection
26	VSS	Ground
27	NC	NO Connection
28	CPV	Shift clock input
29	STV	Start pulse gate driver
30	NC	NO Connection
31	VBORDER	Border connection
32	VSS	Ground
33	VPOS	Positive power supply source driver
34	VGH	Positive power supply gate driver

5 Electrical Characteristics

5.1 Module Interface Description

This module can be driven by ASIC AVT6201A Timing Controller(T-Con).

5.2 Module DC Characteristics

Parameter	Symbol	Conditions	Min	Typ	Max	Unit
Signal ground	VSS		-	0	-	V
Logic Voltage supply	VDD		3.0	3.3	3.6	V
	IVDD	VDD=3.3V	-	3.0	-	mA
Gate Positive supply	VGH		21	22	23	V
	IVGH		-	0.35	-	mA
Gate Negative supply	VGL		-21	-20	-19	V
	IVGL		-	-3.0	-	mA
Source Positive supply	VPOS		14.6	15	15.4	V
	IPOS	VPOS=15V	-	20	-	mA
Source Negative supply	VNEG		-15.4	-15	-14.6	V
	INEG	VNEG=-15V	-	-20	-	mA
Asymmetry source	VASYM	VPOS+VNEG	-80	0	80	mV
Common voltage	VCOM		-2.5	Adjusted	-1.5	V
	ICOM		-	-1.5	-	mA
Standby power module	PSTBY			-	0.4	mW
Typical power module	PTYP		-	600	1100	mW
Operating temperature			0		50	°C
Storage temperature			-20	-	70	°C
Maximum image update time at 25°C				960	1200	ms
Humidity range	-		40	-	70	%RH

Notes:

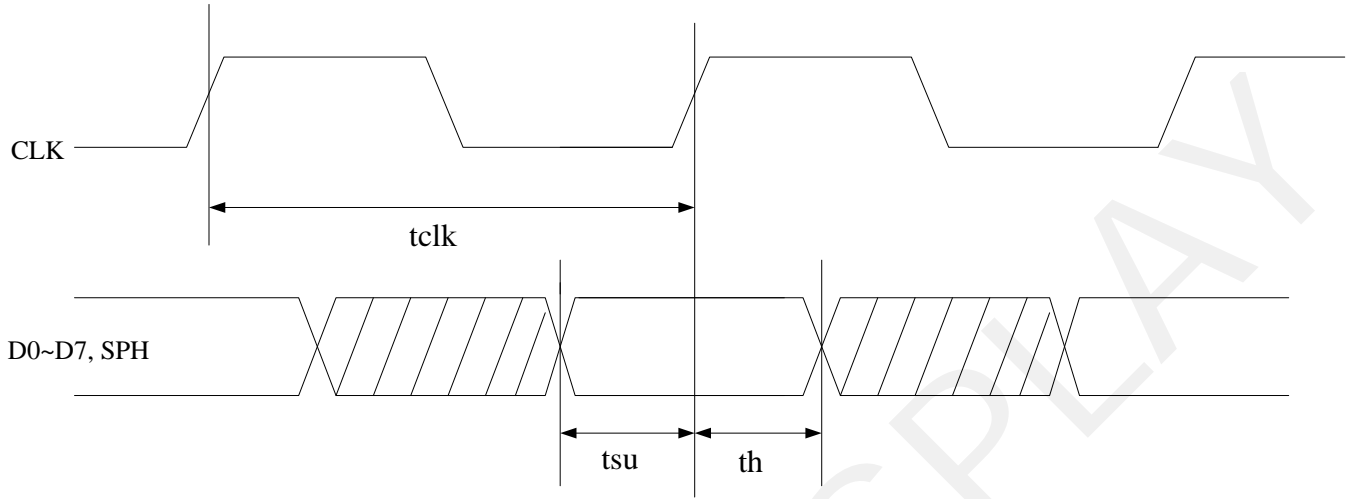
1. The maximum power and maximum current are specified for the worst case power consumption.
2. The typical power is measured when "typical images" are displayed.
3. The standby power is the consumed power when the module controller is in standby mode.
4. The listed electrical/optical characteristics are only guaranteed under the controller & waveform provided by GoodDisplay

5.3 Module AC Characteristics

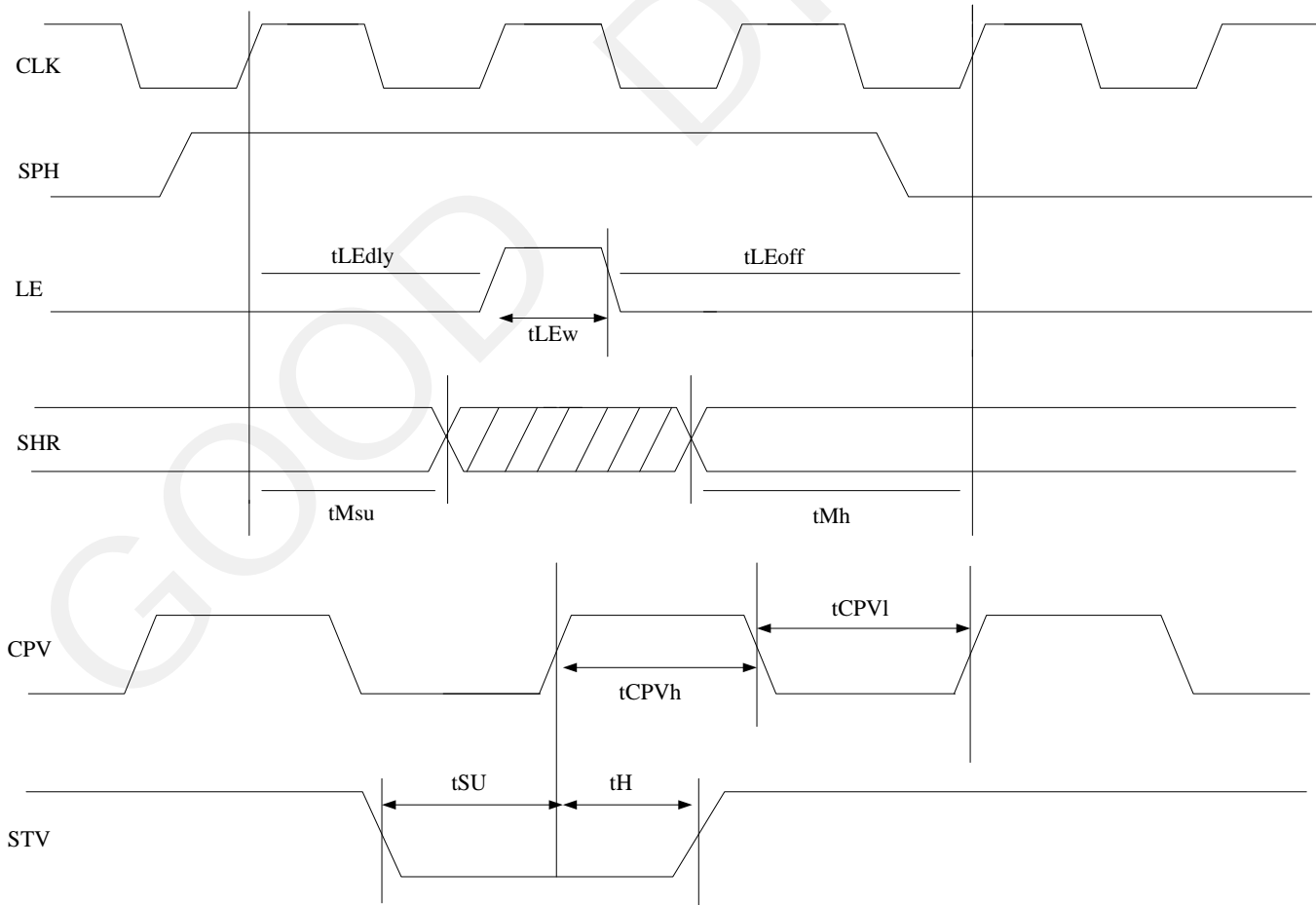
Note: VDD=3.0V to 3.6V, unless otherwise specified

Parameter	Symbol	Min.	Typ.	Max.	Unit	App Pin
Clock frequency	fcpv	-	-	200	kHz	CPV
Clock CPV high time	tCPVh	0.5	-	-	us	
Clock CPV low time	tCPVl	0.5	-	-	us	
Data setup time	tSU	100	-	-	ns	CPV STV
Data hold time	tH	300	-	-	ns	
Clock CLK cycle time	tclk	40	-	-	ns	Below table
D0 .. D7, SPH setup time	tsu	8	-	-	ns	
D0 .. D7, SPH hold time	th	8	-	-	ns	
LE on delay time	tLEdly	40	-	-	ns	
LE high-level pulse width	tLEw	40	-	-	ns	
LE off delay time	tLEoff	40	-	-	ns	
SHR setup time	tMsu	100	-	-	ns	
SHR hold time	tMh	10	-	-	ns	

Clock & Data Timing



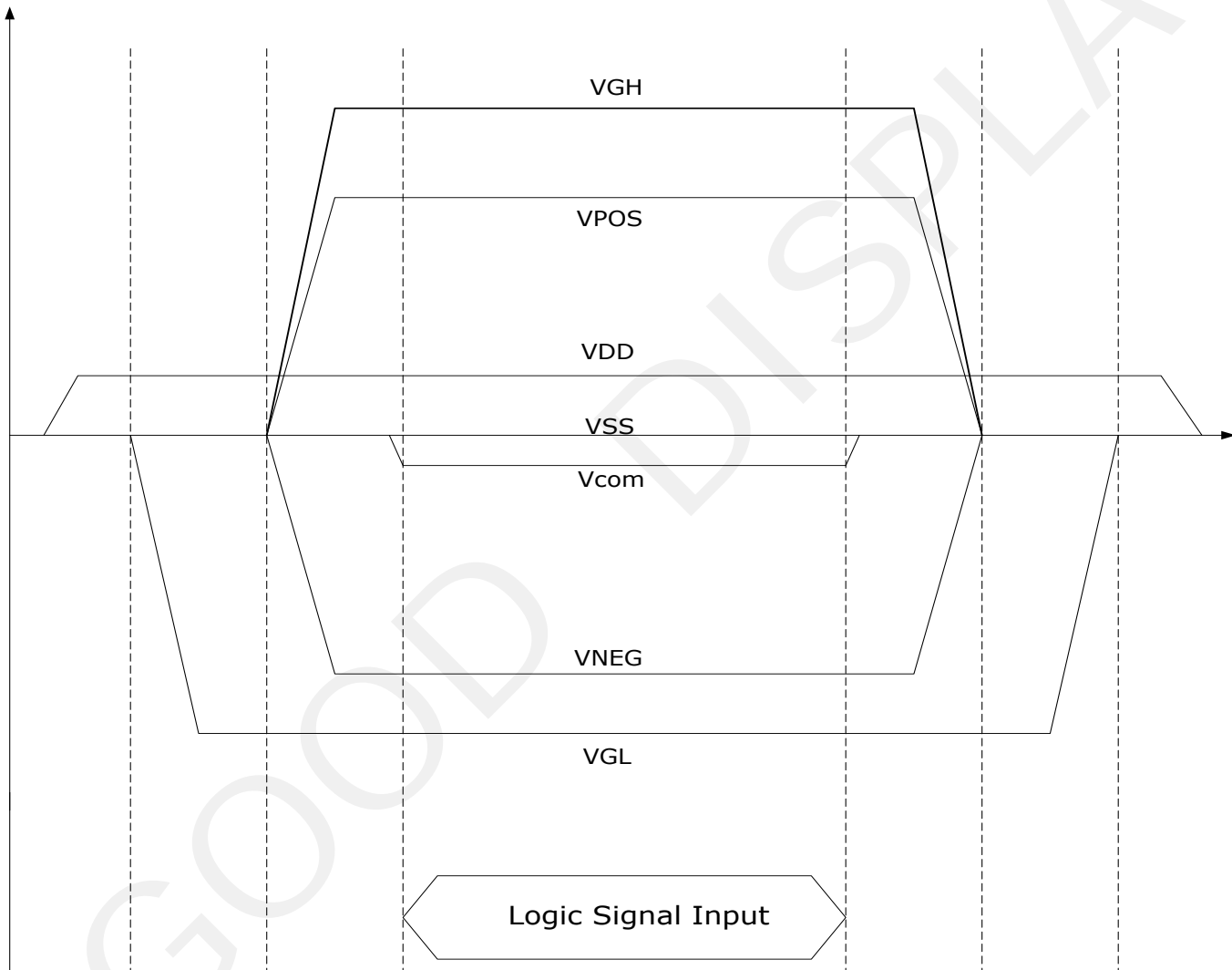
Output Latch/Control Signals



6 Power On/Off Sequence

To prevent the device from damage due to latch up, the power on/off sequence shown below must be followed. When power on: VDD -> VGL -> VNEG/VGH/VPOS -> Vcom

When power off: Vcom -> VNEG/VGH/VPOS -> VGL -> VDD



7 Mechanical Specifications

7.1 Dimension

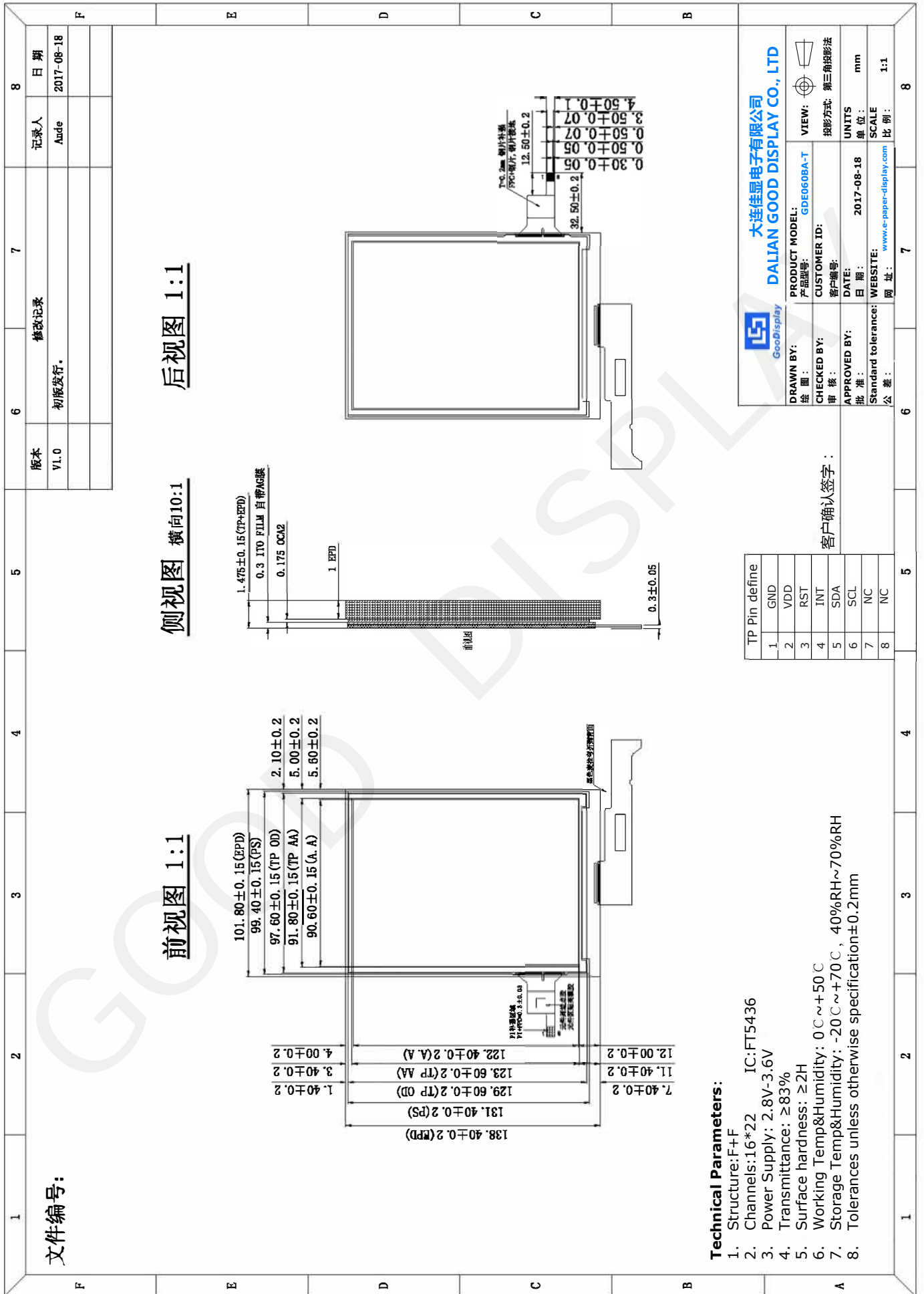
PARAMETER	VALUE	UNIT	Remark
Display Resolution	600×800	dots	
Active Area Dimensions			
Horizontal	90.6	mm	
Vertical	122.4	mm	
Screen Size	6.0 (3:4 diagonal)	Inch	
Pixel Pitch			
Horizontal	0.151	mm	
Vertical	0.153	mm	
Pixel Configuration	Rectangle		
Overall Dimensions			
Width	101.8	mm	
Height	138.4	mm	
Thickness	1.7	mm	
Mass of the Module	41	g	

7.2 Electrical Connector

SERVICE	CONNECTOR	NUMBER OF PINS
Interface	FPC pitch=0.5mm	34



7.3 Mechanical Drawing of EPD Module



8. Optical Characteristics

Parameter	Conditions	Values			Units	Notes
		Min.	Typ.	Max		
White Reflectivity	0 minute	35	-	-	%	
Contrast Ratio (CR)	2 minute	8:1	-	-		1
Image Update Time:	GC16(T=0°C)	-	1500	1600	ms	
	GC16(T=25°C)	-	960	1200		
	GC16(T≥35°C)	-	760	960		
	DU (T=0°C)	-	500	540		
	DU(T≥20°C)	-	300	360		

($T_{amb}=25^{\circ}\text{C}$, $f_v=50\text{Hz}$. Measurements are made with Eye-One Pro Spectrophotometer.)

Notes:

1. CR=Surface Reflectance with all white pixel/Surface Reflectance with all black pixels

9. Handling, Safety and Environment Requirements

Warning

The display glass may break when it is dropped or bumped on a hard surface. Handle with care. Should the display break, do not touch the electrophoretic material. In case of contact with electrophoretic material, wash with water and soap.

Caution

The display module should not be exposed to harmful gases, such as acid and alkali gases, which corrode electronic components.

Disassembling the display module can cause permanent damage and invalidates the warranty agreements.

Observe general precautions that are common to handling delicate electronic components. The glass can break and front surfaces can easily be damaged. Moreover the display is sensitive to static electricality and other rough environmental conditions.

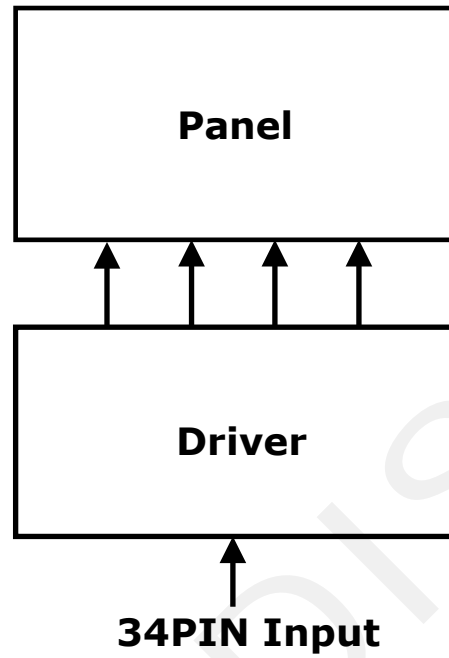
Precautions

- (1) Do not apply pressure to the EPD panel in order to prevent damaging it.
- (2) Do not connect or disconnect the interface connector while the EPD panel is in operation.
- (3) Do not touch IC bonding area. It may scratch TFT lead or damage IC function.
- (4) Please be mindful of moisture to avoid its penetration into the EPD panel, which may cause damage during operation.
- (5) If the EPD Panel / Module is not refreshed every 24 hours, a phenomena known as "Ghosting" or "Image Sticking" may occur. It is recommended to refreshed the ESL /EPD Tag every 24 hours in use case. It is recommended that customer ships or stores the ESL / EPD Tag with a completely white image to avoid this issue
- (6) High temperature, high humidity, sunlight or fluorescent light may degrade the EPD panel's performance. Please do not expose the unprotected EPD panel to high temperature, high humidity, sunlight, or fluorescent for long periods of time.

10. Reliability Test

No.	TEST	CONDITION	METHOD	REMARK
1	High-Temperature Operation	T = +50°C, RH = 30% for 168 hrs	IEC 60 068-2-2Bp	At the end of the test, electrical, mechanical, and optical specifications shall be satisfied.
2	Low-Temperature Operation	T = 0°C for 168 hrs	IEC 60 068-2-2Ab	At the end of the test, electrical, mechanical, and optical specifications shall be satisfied.
3	High-Temperature Storage	T = +70°C, RH=23% 168 for hrs	IEC 60 068-2-2Bp	At the end of the test, electrical, mechanical, and optical specifications shall be satisfied.
4	Low-Temperature Storage	T = -25°C for 168 hrs	IEC 60 068-2-1Ab	At the end of the test, electrical, mechanical, and optical specifications shall be satisfied.
5	High-Temperature, High-Humidity Operation	T = +40°C, RH = 90% for 168 hrs	IEC 60 068-2-3CA	At the end of the test, electrical, mechanical, and optical specifications shall be satisfied.
6	High Temperature, High- Humidity Storage	T = +60°C, RH=80% for 168 hrs	IEC 60 068-2-3CA	At the end of the test, electrical, mechanical, and optical specifications shall be satisfied.
7	Thermal Shock	1 cycle:[-25°C 30min]→[+70 °C 30 min] : 50cycles	IEC 60 068-2-14	At the end of the test, electrical, mechanical, and optical specifications shall be satisfied.
8	Package Vibration	1.04G, Frequency:10~500Hz Direction: X,Y,Z Duration:1 hours in each direction	Full packed for shipment	At the end of the test, electrical, mechanical, and optical specifications shall be satisfied.
9	Package Drop Impact	Drop from height of 122 cm on concrete surface. Drop sequence: 1 corner, 3edges, 6 faces One drop for each	Full packed for shipment	At the end of the test, electrical, mechanical, and optical specifications shall be satisfied.
10	Electrostatic Effect (non-operating)	Machine model +/- 250V, 0Ω, 200pF	IEC 62179, IEC 62180	At the end of the test, electrical, mechanical, and optical specifications shall be satisfied.
11	Stylus Tapping	POLYACETAL Pen:Top R0.8mm Load: 200gf Speed: 30times/min Total 13,500times		At the end of the test, electrical, mechanical, and optical specifications shall be satisfied.

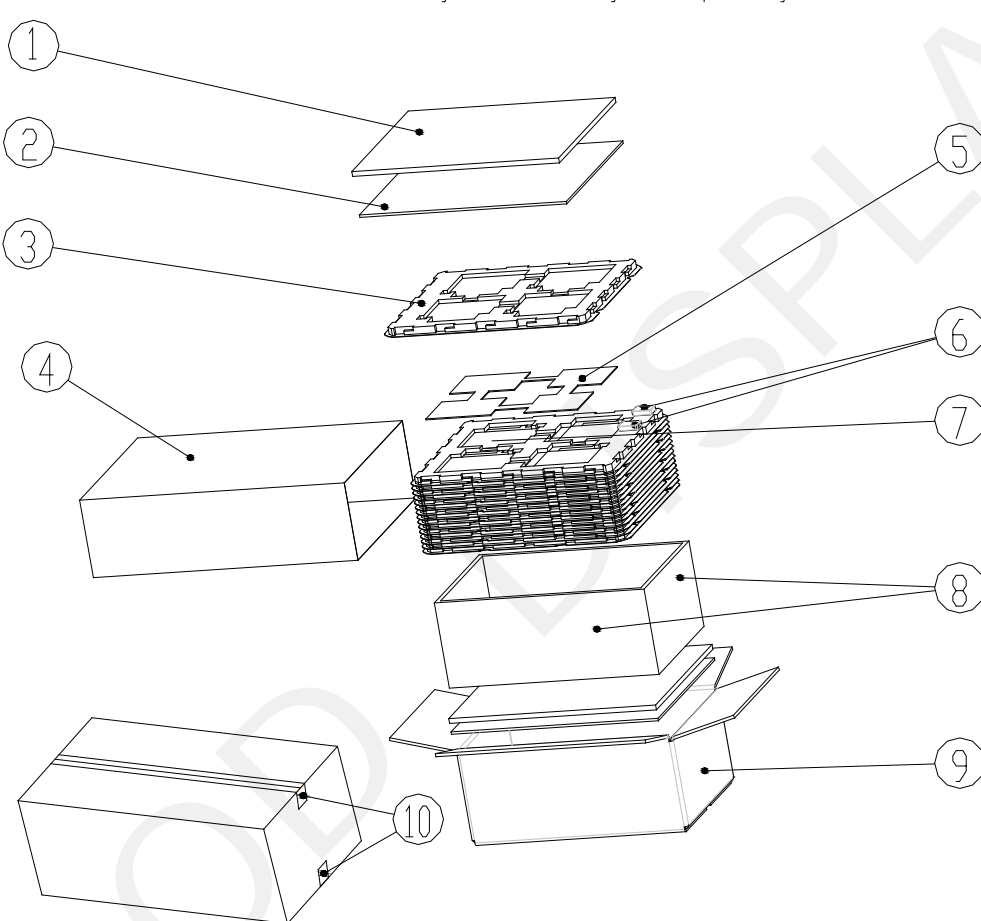
11. Block Diagram



12. Packaging

Packing Form

a) Package quantity in one outer box:48 pcs
 b) box size:470 mm X 390 mm X 170 mm
 c) 1 outer box = 12 (full tray) + 1 (dummy / top tray)



No.	Description	Material
①	Upper & bottom paper plate	A=B
②	Upper & bottom foam plate	EPE
③	Packing tray (13 pcs/1 outer box)	PS
④	Aluminium foil bag	Aluminium foil
⑤	EPE FOAM	EPE
⑥	Desiccant	Desiccant
⑦	Board Ass'y	EPD
⑧	side plate	EPE
⑨	Outer carton	K=A
⑩	Tape (43mm*300m)	OPP