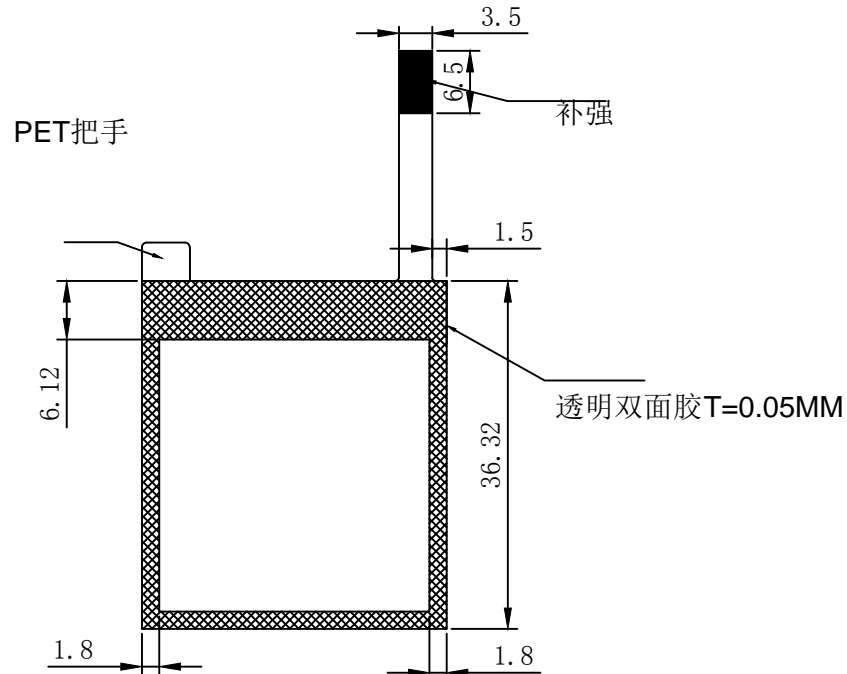
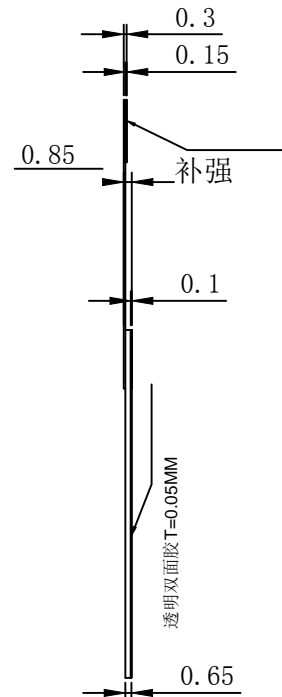
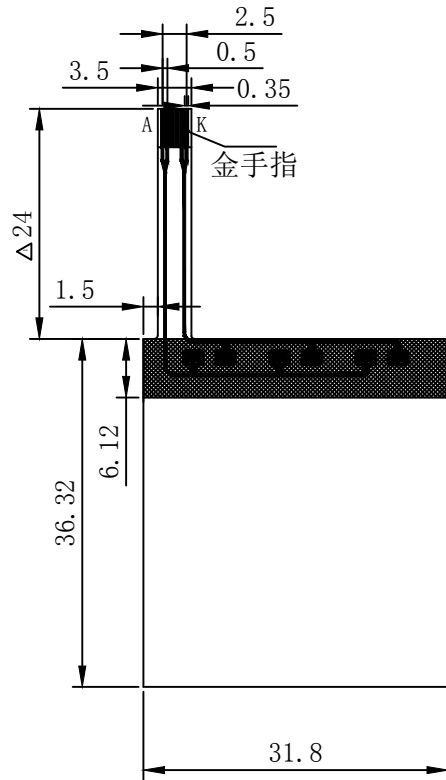


1.外形结构图 (单位: mm。未注极限尺寸±0.3)

△	20171109	增加一个LED灯
△	20171109	FPC长度改成24MM
REV	DATE (日期)	CHANGE ITEM (变更内容)

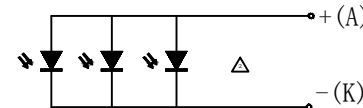


2. 光电参数 (ELECTRICAL-OPTICAL CHARACTERISTICS)

Item	Symbol	MIN.	TYP.	MAX.	Unit	Condition
Forward Voltage	Vf	2.9	3.1	3.3	V	If=45 mA
Peak Wavelength	λ Peak					
Colour Coordinate	x					
	y					
Luminance	Lv				cd/m ²	
Uniformity	Avg	70	-	-	%	
Reverse Current (Per LED)	Ir			15uA/LED	μ A	Vr= 5 V

● Operating Temperature: -20~+60°C ● Storage Temperature: -25~+70°C

3. Circuit Diagram



(LED 1*3=3 diode) color: White)

DALIAN GOOD DISPLAY CO., LTD.

DWG NO.:	GDE0154-W301	DESIGNED BY:	
		CHECKED BY:	
		APPROVED BY:	
VERSION: A0	UNIT: mm		
SHEET: 1 OF 1	DATE:		