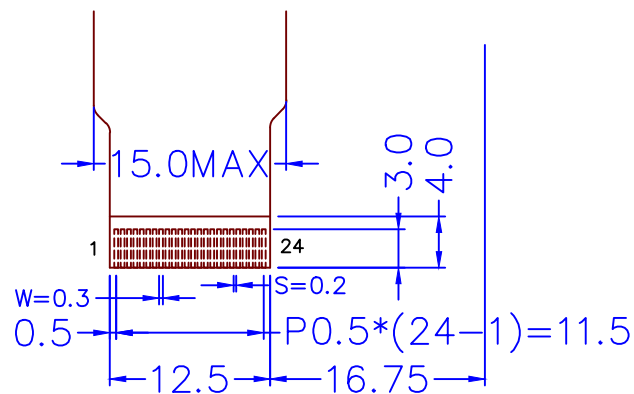
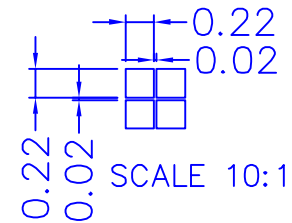
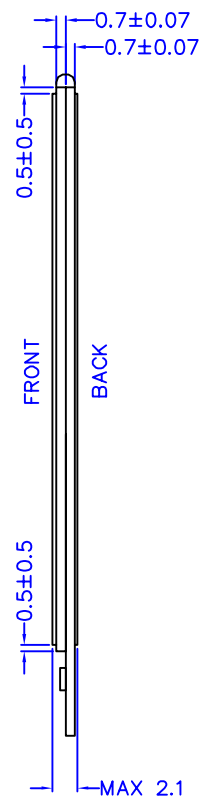
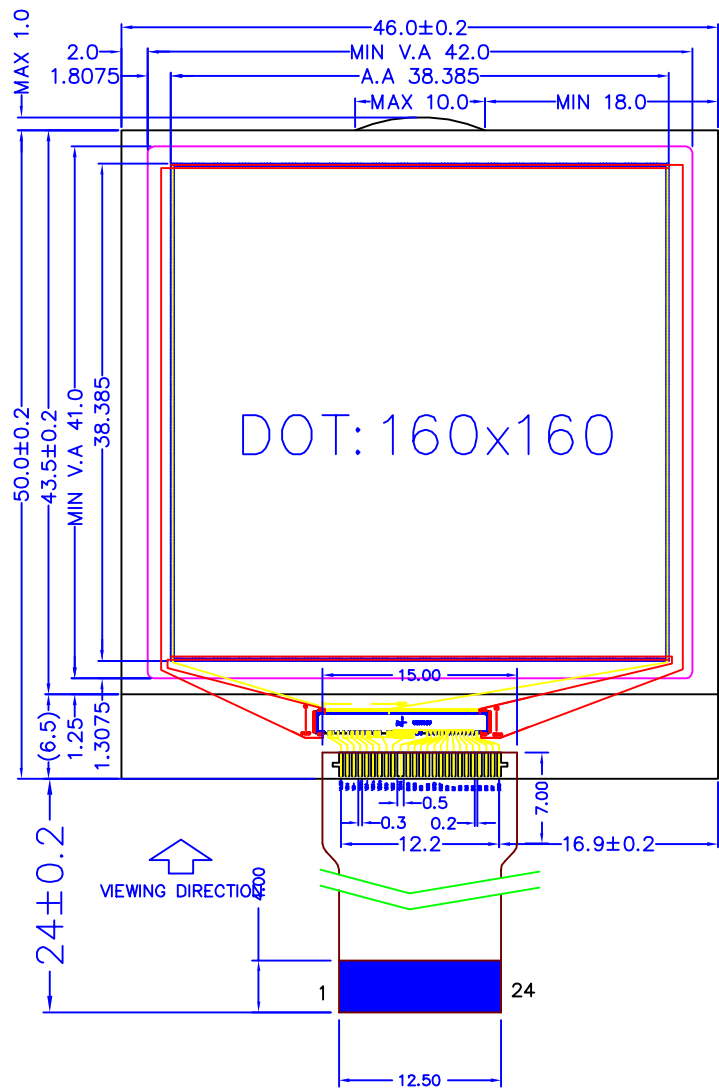


注意设计时要保证显示区域与前壳的开窗区域对正居中



PIN	Dec.
1	VLCD
2	VS+
3	VS-
4	VB0-
5	VB1-
6	VB1+
7	VB0+
8	VDD
9	VSS
10	BM0
11	CS0
12	CD
13	WR1
14	WR0
15	RST
16	DO(SCK)
17	D1
18	D2
19	D3
20	D4(SDA)
21	D5
22	D6
23	D7
24	D15



PIN	Dec.
1	VLCD
2	VS+
3	VS-
4	VB0-
5	VB1-
6	VB1+
7	VB0+
8	VDD
9	VSS
10	BM0
11	CS0
12	CD
13	WR1
14	WR0
15	RST
16	DO(SCK)
17	D1
18	D2
19	D3
20	D4(SDA)
21	D5
22	D6
23	D7
24	D15

- NOTES:
- | | |
|---------------------------|------------------------|
| 1. DISPLAY TYPE: | FSTN |
| 2. VIEWING DIRECTION: | 6:00 |
| 3. POLARIZER MODE: | TRANSFLECTIVE/POSITIVE |
| 4. OPERATING TEMP: | -20°C~+70°C |
| 5. STORAGE TEMP: | -30°C~+80°C |
| 6. LOGIC VOLTAGE: | 3V |
| 7. LCD OPERATION VOLTAGE: | 16.5V |
| 8. DRIVE METHOD: | 1/160DUTY 1/10BIAS |
| 9. DRIVER IC: | UC1698(COG) |
| 10. BACKLIGHT: | LED(W, 3V, 3DIES) |

大 连 佳 显 电 子 有 限 公 司							
DRAW NO.	YMK160160F-模组图_C版			DRAWN	ME CHECKED	EE CHECKED	APPROVED
UNIT:mm	PAGE:1/1	VER. C	SCALE:1/1				
	TOLERANCE UNLESS: ±0.2						