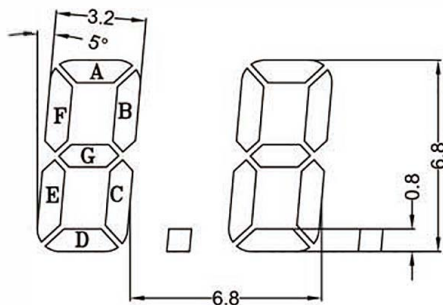
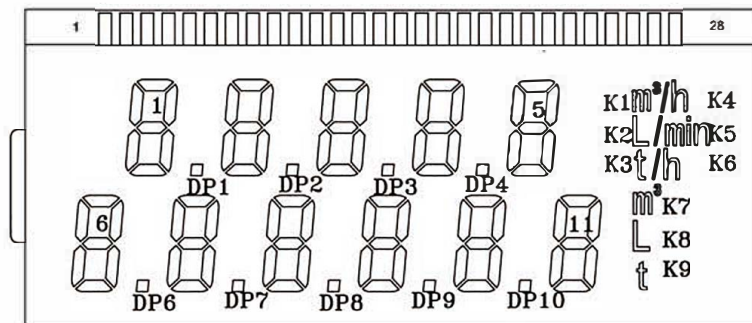


NOTE

- 1 TOLARENCES UNLESS OTHERWISE SPECIFIED: ± 0.2
- 2 ALL DIMENSIONS ARE IN mm
- 3 VIEWING ANGLE: 6 O'CLOCK
- 4 POLARIZER: REFLECTIVE, POSITIVE
- 5 MULTIPLEX LEVEL: 1/4 DUTY, 1/3 BIAS
- 6 LCD DRIVING VOLTAGE(Vop): 3.0V
- 7 OPERATING TEMP: -20°C TO 70°C
STORAGE TEMP: -30°C TO 80°C
- 8 DISPLAY TYPE: TN
- 9 CONNECTOR: PIN

Dalian Good Display Co., Ltd

DESIGN MODEL		GDC0178DP15	
VAR.	A	DATE	2008.11.12
CUSTOMER MODEL		APPROVED BY	
		CHECKED BY	
PAGE 1/2		DRAWN BY	SY ZHAO



PIN	1	2	3	4	5	6	7	8	9	10	11	12	13	14	15	16	17	18
COM1				COM1	6A	6B	7A	7B	8A	8B	1D	DP1	2D	DP2	3D	DP3	4D	DP4
COM2			COM2		6F	6G	7F	7G	8F	8G	1E	1C	2E	2C	3E	3C	4E	4C
COM3		COM3			6E	6C	7E	7C	8E	8C	1F	1G	2F	2G	3F	3G	4F	4G
COM4	COM4				6D	DP6	7D	DP7	8D	DP8	1A	1B	2A	2B	3A	3B	4A	4B

PIN	19	20	21	22	23	24	25	26	27	28
COM1	5D		K7	K8	11B	11A	10B	10A	9B	9A
COM2	5E	5C	K3	K6	11G	11F	10G	10F	9G	9F
COM3	5F	5G	K2	K5	11C	11E	10C	10E	9C	9E
COM4	5A	5B	K1	K4	K9	11D	DP10	10D	DP9	9D

Dalian Good Display Co., Ltd			
DESIGN MODEL		GDC0178DP15	
VAR.	A	DATE	2008.11.12
CUSTOMER MODEL		APPROVED BY	
		CHECKED BY	
PAGE 2/2	⊕	DRAWN BY	SY ZHAO