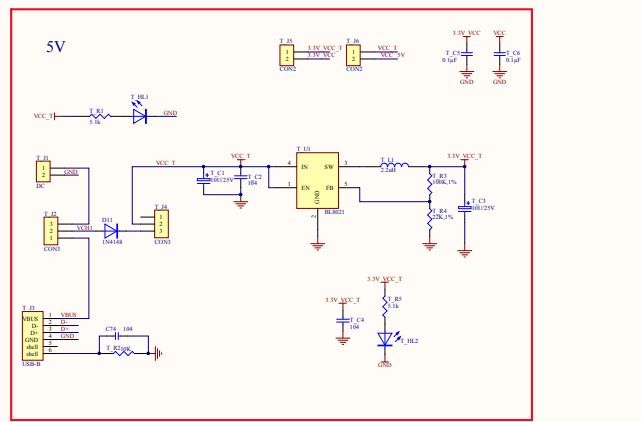
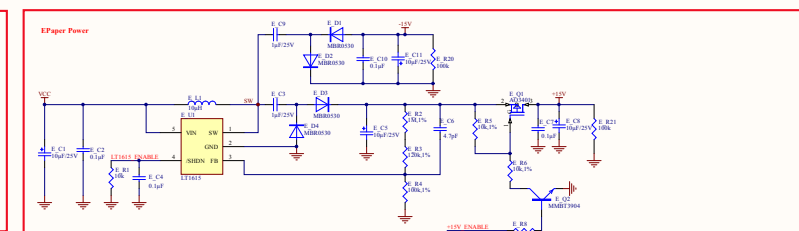
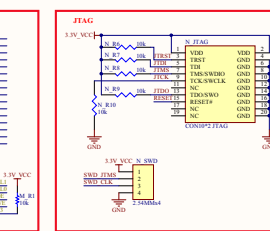


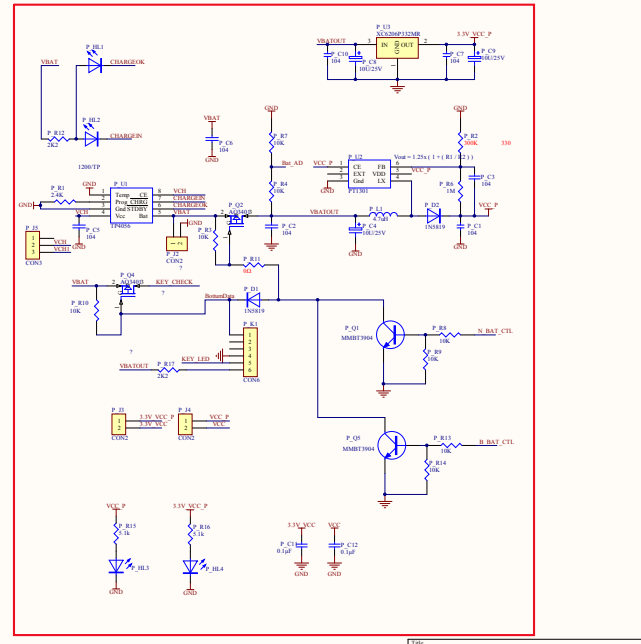
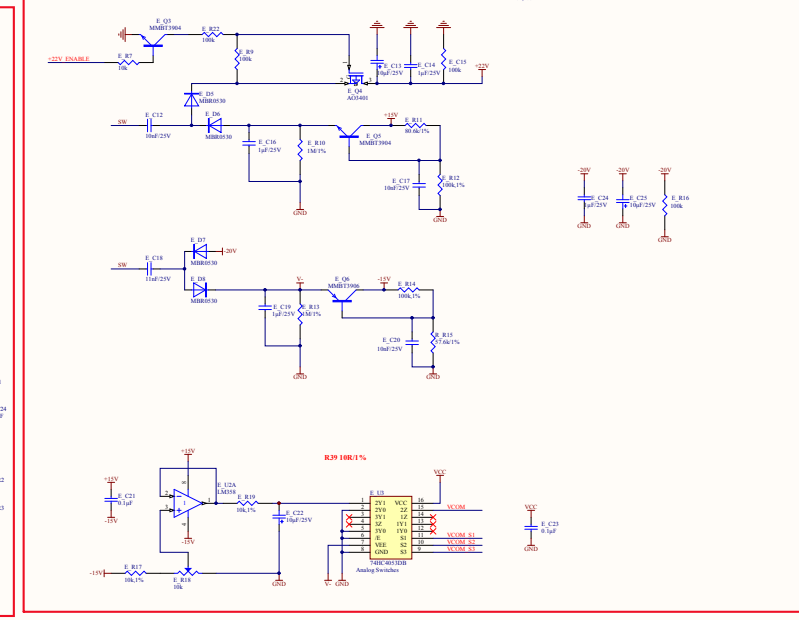
SRAM

SRAM	Pin	Signal	Pin	Signal
SRAM0	1	VCC	16	GND
SRAM0	2	GND	17	VCC
SRAM0	3	VCC	18	GND
SRAM0	4	GND	19	VCC
SRAM0	5	VCC	20	GND
SRAM0	6	GND	21	VCC
SRAM0	7	VCC	22	GND
SRAM0	8	GND	23	VCC
SRAM0	9	VCC	24	GND
SRAM0	10	GND	25	VCC
SRAM0	11	VCC	26	GND
SRAM0	12	GND	27	VCC
SRAM0	13	VCC	28	GND
SRAM0	14	GND	29	VCC
SRAM0	15	VCC	30	GND



Pin List

Pin	Signal	Pin	Signal
1	VCC	16	GND
2	GND	17	VCC
3	VCC	18	GND
4	GND	19	VCC
5	VCC	20	GND
6	GND	21	VCC
7	VCC	22	GND
8	GND	23	VCC
9	VCC	24	GND
10	GND	25	VCC
11	VCC	26	GND
12	GND	27	VCC
13	VCC	28	GND
14	GND	29	VCC
15	VCC	30	GND



Rev	Number	Revision
1	01	Initial Release