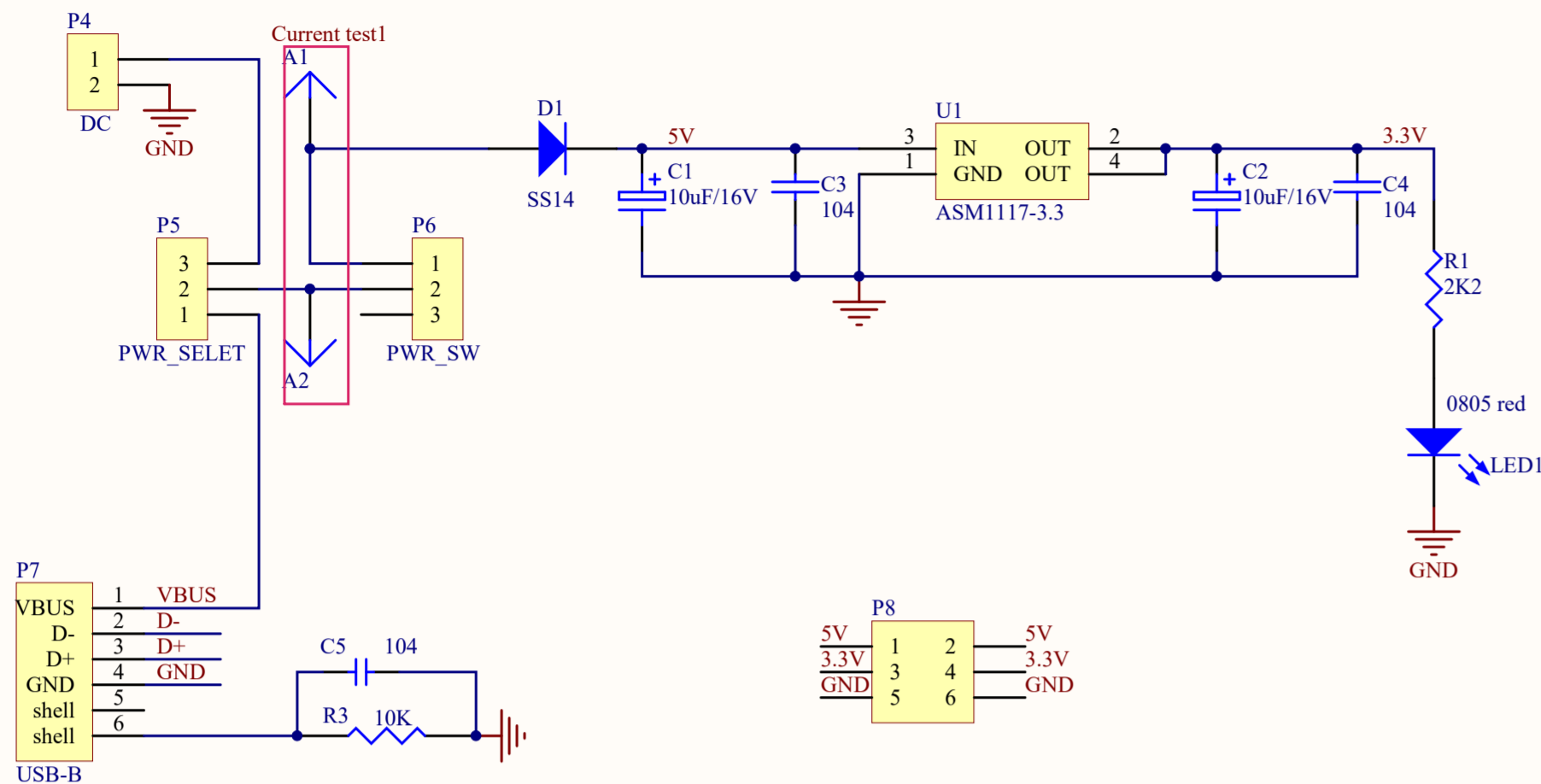
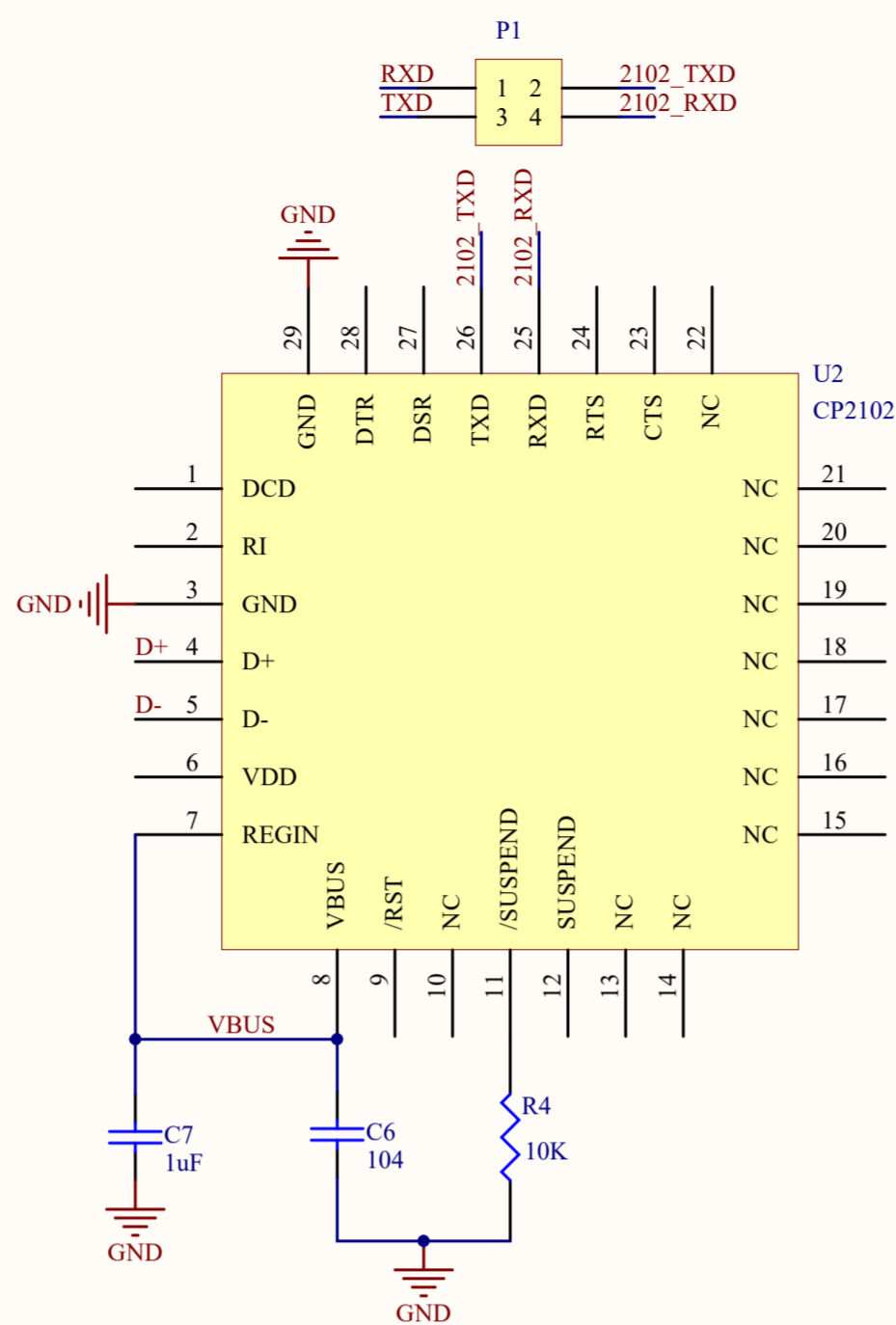


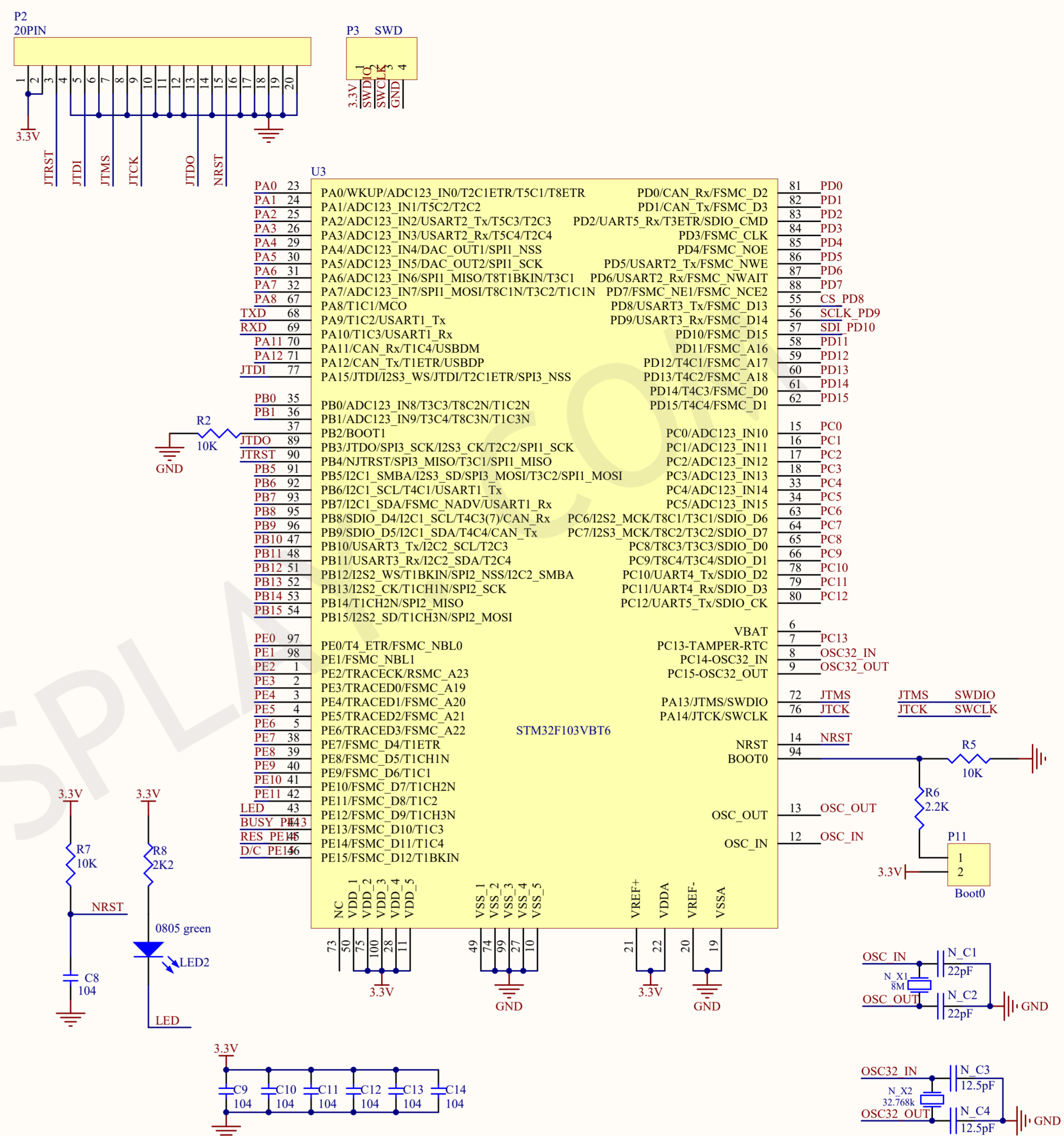
POWER



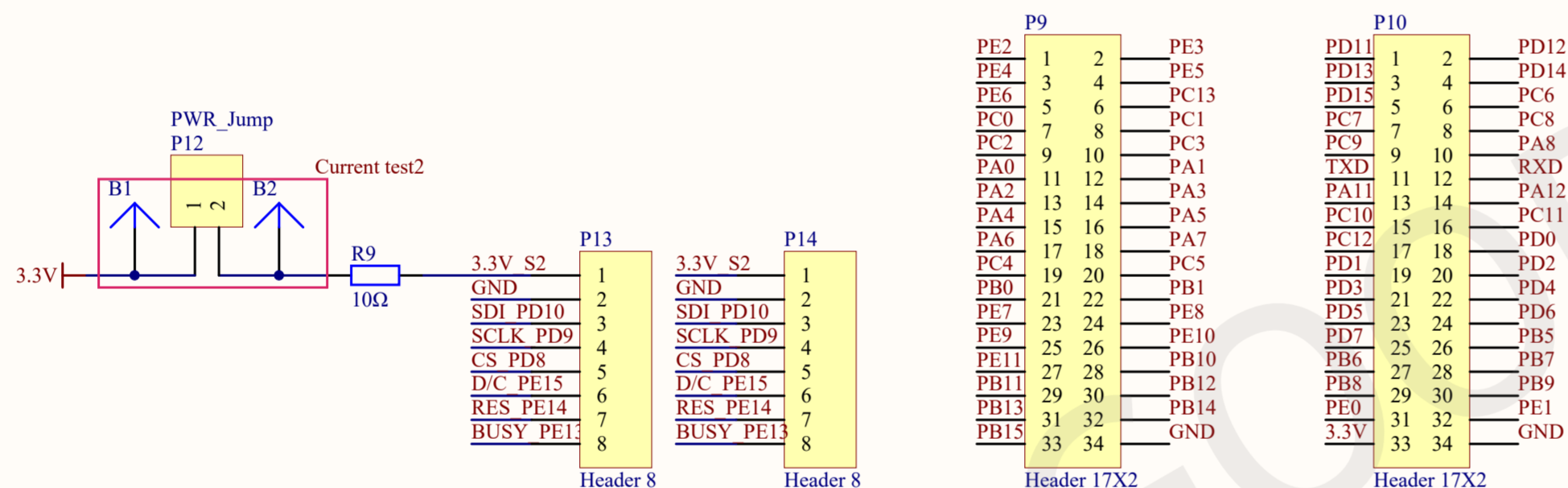
USB



MCU



INTERFACE



DALIAN GOOD DISPLAY CO., LTD

REV.	DESCRIPTION OF MODITY	MODIFY BY	DATE	Size	Number	Revision
1.0	1'ST DESIGN	Liu Yubao	2017. 12. 18	A	DESPI-M01	1.0
				Date:	2017.12.18	Sheet of 1
				File		Drawn By Liu Yubao